



Oliver Deep pictured

# OLIVER

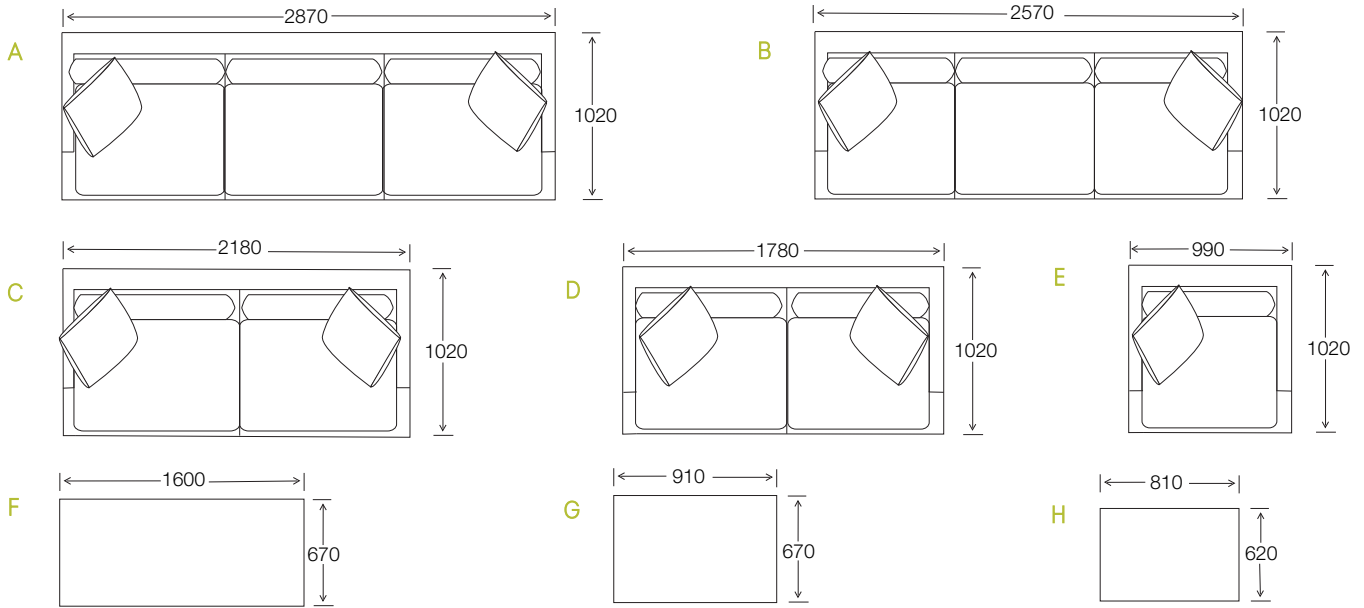
## FEATURES

This contemporary yet masculine sofa appears to float in its environment with new design powder coat steel legs and slim profile seat cushions.

A perfect vehicle for aniline leather, and heavy textured plain fabrics. The 'bachelor' Oliver sofa won't remain single for long.

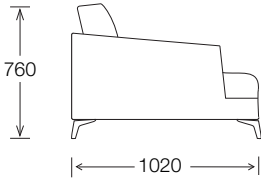
# DIMENSIONS

## ELEMENTS

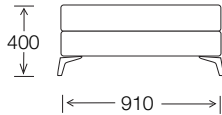


- A - 4 seater
- B - 3.5 seater
- C - 3 seater
- D - 2.5 seater
- E - Chair
- F - Bench ottoman
- G - Large ottoman
- H - Small ottoman

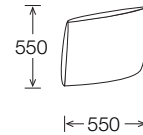
### SIDE VIEW



### OTTOMAN



### SCATTER



### STANDARD FEATURES

Frame	Solid timber frame using renewable hardwood
Seat base	Steel sprung suspension
Back cushion	Cushion
Seat cushions	Cushion
Leg base	Powder coated (3 colours available)
Ottoman	Fixed top
Scatters	Plain, 2 x sofa / 1 x chair

### INSERTS

Feather/fibre
Lux wrap
Lux wrap
100% feather

### AVAILABLE OPTIONS

	Yes	No
Adjustable leg height		x
Alterations to length	x	
Connection clamps		x
Leather	x	
Leg alternative	x	
Loose cover		x